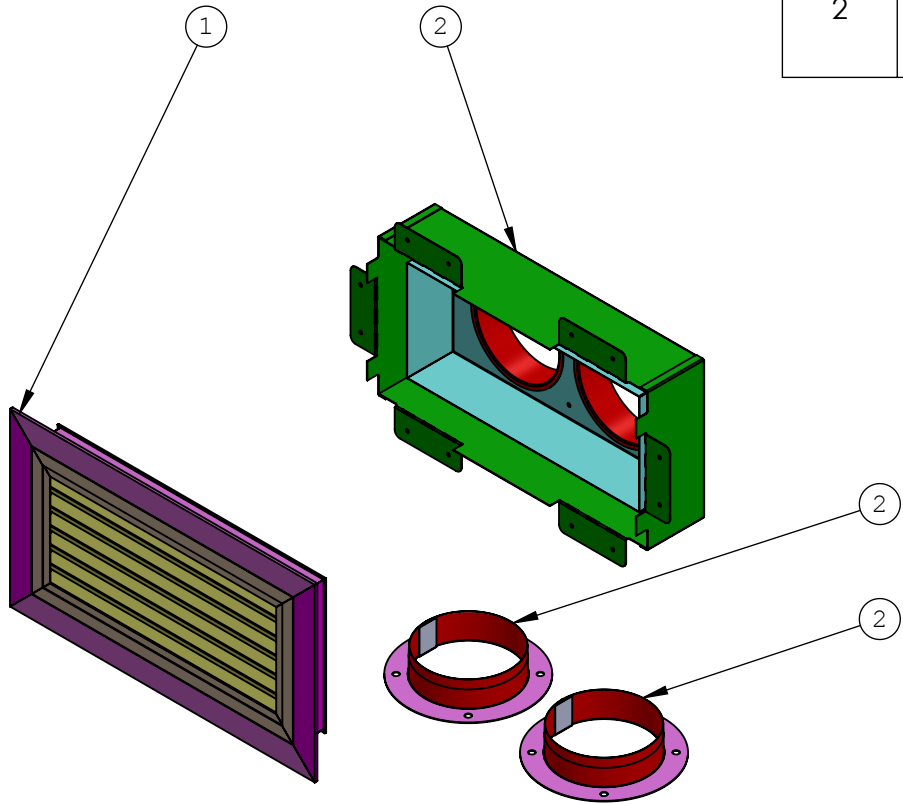


PROPRIETARY AND CONFIDENTIAL



ITEM NO.	PART NUMBER	DESCRIPTION	QTY.
1	GR0003	GRSDH - Sidewall Cavity Venting Louver Horizontal	1
2	HDC16-Cool Wall Discharge Kit	HDC16-Cool Wall Discharge Kit	1

October-17-18 1:53:38 PM

Y:\Products\Residential Products\R&D Projects\Distinction Accessories\Heat Distribution Channel\HDKSD-Cool Wall Advantage Side Discharge Kit Horizontal

REVISIONS			
REV.	DESCRIPTION	DATE	CHANGED BY
-	.	-	-

DIMENSIONS ARE IN INCHES  
 TOLERANCES:  
 FRACTIONAL ± 1/32"  
 TWO PLACE DECIMAL ± .015"  
 THREE PLACE DECIMAL ± .005"  
 ANGULAR ± .5°  
 ALL BENDS ARE ASSUMED TO BE 90° UNLESS NOTED OTHERWISE.

	NAME	DATE
Drawn by	<b>DM</b>	<b>19/09/2018</b>
Revision / Date		
Revision		
Finish		



Description	
HDKSD-Cool Wall Advantage Side Discharge Kit Horizontal	
DWG. NO.	HDKSD-Cool Wall Advantage Side Discharge Kit Horizontal
MATERIAL	
SCALE 1:8	WEIGHT:
SHEET 1 OF 1	